



Description

JR2 MVLP beacon is a compact and economical warning light that utilizes a rotating reflector under a tough polycarbonate dome. The light is mounted on a durable ABS plastic base to seal out the elements and prevent corrosion. This versatile light is perfect for fixed or mobile warning applications, lighting effects or as a machine status indicator. The MVLP is available in a variety of dome colors and in both 110 vac and 12 vdc models. This durable light is made in the U.S.A and comes with Tri Lite's 12 month limited warranty.

Features

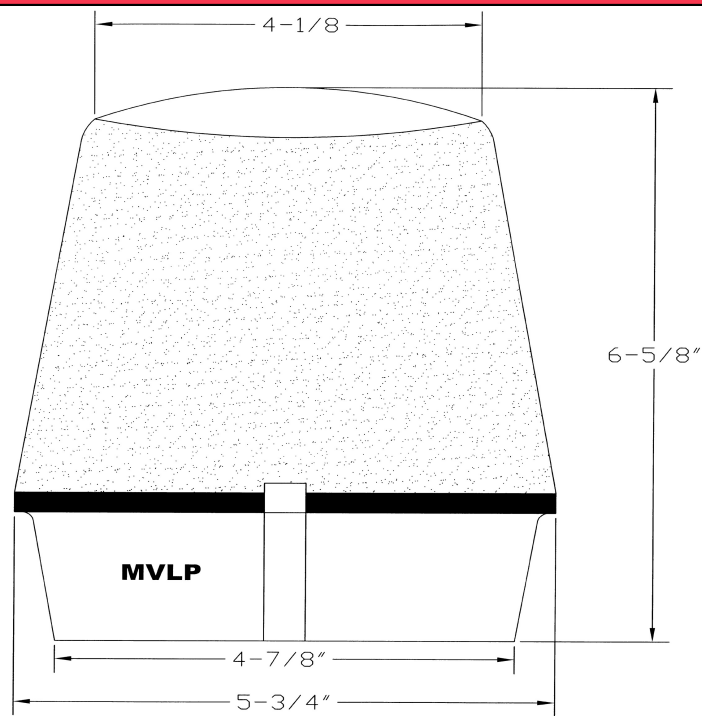
- Compact and economical
- Simple installation
- Durable non-corrosive ABS base
- Tough polycarbonate dome available in 6 colors
- Easily field serviceable
- 110 vac models are UL listed
- Available with permanent or magnetic mounting options

Electrical Specifications

AC Voltage 110 v
 AC Current 0.25 a
 DC Voltage 12 v
 DC Current 2.2 a
 Estimated Lamp Life (DC) 1,500 hrs
 Estimated Lamp Life (AC) 1,000 hrs

Physical Specifications

Height 6 1/2"
 Diameter 5 5/8"
 Flashes per Minute 80 - 100
 Shipping Weight 2 lbs
 Shipping Volume 376 In³



Model Number Information

Variant	Product Number
110 vac Permanent Mount.....	MVLP-110P/*
12 vdc Permanent Mount.....	MVLP-12P/*
12 vdc Magnetic Mount.....	MVLP-12M/*

* Specify Dome Color

A-Amber B-Blue C-Clear G-Green P-Purple R-Red

Replacement Part Information

Part	Part Number
Amber Dome.....	200503
Blue Dome.....	200506
Clear Dome.....	200509
Green Dome.....	200505
Purple Dome.....	200211
Red Dome.....	200502
110 v Lamp.....	420705
12 v Lamp (Permanent Mount)	420336
12 v Lamp (Magnetic Mount)	420334
110 v Replacement Motor.....	553226
12 v Replacement Motor.....	500505
Drive Belt.....	800587