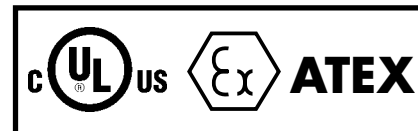


# SPEAKERS – Up to 25 Watts Hazardous Location, Weatherproof DB4 Range



15W/25W (Long Flare)



8W (Short Flare)

Now UL listed to +158°F (+70°C)  
Ambient Temperature

SignalGuys.com

## Introduction

This range of loudspeakers, intended for use in potentially explosive atmospheres, has a power rating of up to 25 watts and is suitable for use in all gas groups including hydrogen.

The flamepaths, flare and the body are manufactured completely from a UV stable glass reinforced polyester. Stainless steel screws and sinter are incorporated thus ensuring a corrosion free product. A tapered flamepath is used to overcome the problems of assembly of parallel spigot flamepaths.

**European and other worldwide approvals are available, refer to main section of catalog.**

- ★ UL listed for USA and Canada
  - Class I, Div 2, Groups A, B, C & D.
  - Class I, Zone 1, AExd IIC T4.
- ★ CENELEC/ATEX approved.
- ★ NEMA 4x and 6, IP66 & 67.
- ★ Certified temperature –67°F to +158°F.  
–55°C to +70°C.
- ★ GRP corrosion-free flamepaths.
- ★ 109dBA at 25 watts at 10 feet.
- ★ 8, 15 and 25 watt versions.
- ★ Power tapings, via integral transformer.
- ★ Ratcheted swivel bracket.
- ★ Stainless steel sinter.
- ★ Stainless steel mounting bracket.
- ★ Tapered flamepath.

Available from:  
SignalGuys.com a business of RJA Technology, LLC  
537 Wrightwood Ave.  
Elmhurst, IL. 60126 USA  
630-993-1928  
Fax: 630-833-6279

**MEDC**

# Specification

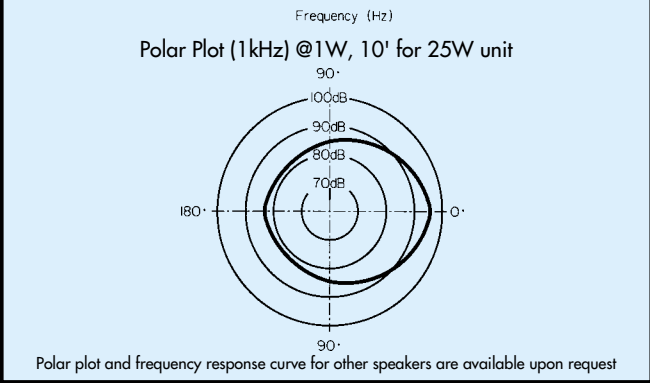
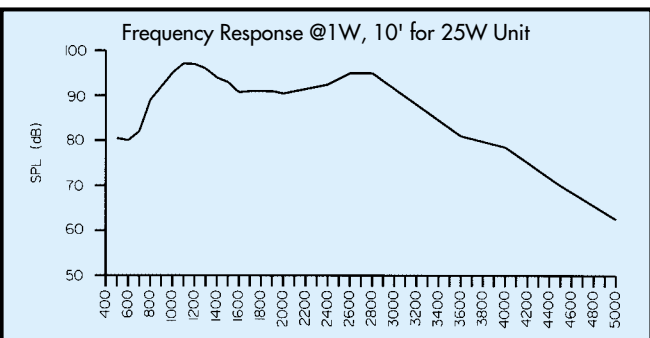
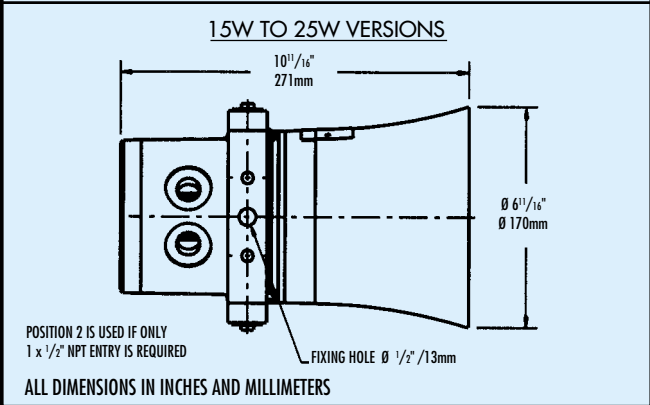
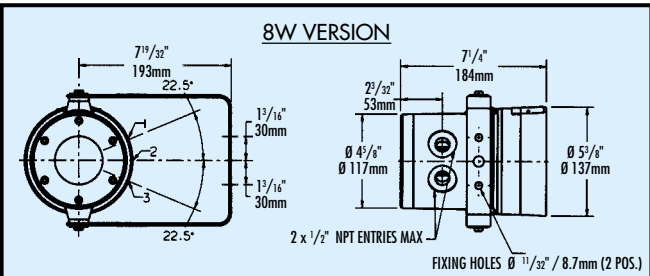
Rated Power:	8, 15 or 25 watts RMS continuous (at 77°F).
Certification:	UL Listed for USA and Canada - Class I, Div 2, Groups A-D. - Class I, Zone 1, AExd IIC T4. UL Listing No. E203310. <b>CENELEC/ATEX approved:</b> EN50014, 18, 19. Cert. No. BAS00ATEX2097X, EExd IIC T4/T5. Cert. No. BAS00ATEX2098X, EExdc IIC T4/T5. Zones 1 and 2. Not for use in atmospheres containing carbon disulphide.
Material:	Body & horn in anti-static, UV stable, glass reinforced polyester. Swivel bracket in stainless steel. Captive cover screws in stainless steel.
Finish:	Body and horn, natural black or epoxy paint coated to client's color requirements.
Output:	97 dBA at 1 watt at 10 feet. 109 dBA at 25 watts at 10 feet. Measured in accordance with IEC 268.
Weight:	11lb/5.0kg approx. dependent on model.
Certified Temperature:	-67°F to +158°F. -55°C to +70°C.
Ingress Protection:	NEMA 4x and 6, IP66 & 67.
Frequency Range:	400Hz to 8kHz.
Voice Coil Impedance:	8 ohms.
Transformer:	Used to vary the rated power by selecting different tapings (see table below).

Transformer Tappings	Power		
	25W	15W	8W
1:2	25.0	15.0	8.0
2:3	12.5	7.5	4.0
3:4	6.0	5.0	2.0
1:3	4.0	4.0	1.5
2:4	2.0	2.0	0.7
1:4	1.0	0.8	0.4

- Transformer Options:
- i) Loop in/Loop out: (4 x 2) terminal tap change (8 terminals).
  - ii) Optional Tapping: 4 terminal tap change with 2 terminals (5 & 6) directly connected to driver (8 ohms).

**Other tapings & driver impedances available on request.**

Terminals:	8 x 14AWG Other terminal arrangements available on request.
Mounting:	Bracket with ratchet facility.
Labels:	Duty and tag labels optional.
Cable Entries:	Up to 2 x 1/2" NPT.



# Ordering Requirements

Max. Rated Power	Certification	Transformer	Labels	Entries	Finish																																				
DB4	UL																																								
<table border="1"> <tr><th>Power</th><th>Code</th></tr> <tr><td>8 watt</td><td>8</td></tr> <tr><td>15 watt</td><td>15</td></tr> <tr><td>25 watt</td><td>25</td></tr> </table>	Power	Code	8 watt	8	15 watt	15	25 watt	25		<table border="1"> <tr><th>Transformer</th><th>Code</th></tr> <tr><td>Yes</td><td>X*</td></tr> <tr><td>None</td><td>N</td></tr> </table> <p>*Std 100V Other values available, specify voltage.</p>	Transformer	Code	Yes	X*	None	N	<table border="1"> <tr><th>Label</th><th>Code</th></tr> <tr><td>Duty</td><td>D*</td></tr> <tr><td>Tag</td><td>T*</td></tr> <tr><td>None</td><td>N</td></tr> </table> <p>*Please specify wording</p>	Label	Code	Duty	D*	Tag	T*	None	N	<table border="1"> <tr><th>Entries</th><th>Code</th></tr> <tr><td>1 x 1/2" NPT</td><td>1C</td></tr> <tr><td>2 x 1/2" NPT</td><td>2C</td></tr> </table>	Entries	Code	1 x 1/2" NPT	1C	2 x 1/2" NPT	2C	<table border="1"> <tr><th>Finish</th><th>Code</th></tr> <tr><td>Natural Black</td><td>N</td></tr> <tr><td>Red</td><td>R</td></tr> <tr><td>Special</td><td>S*</td></tr> </table> <p>*Please specify</p>	Finish	Code	Natural Black	N	Red	R	Special	S*
Power	Code																																								
8 watt	8																																								
15 watt	15																																								
25 watt	25																																								
Transformer	Code																																								
Yes	X*																																								
None	N																																								
Label	Code																																								
Duty	D*																																								
Tag	T*																																								
None	N																																								
Entries	Code																																								
1 x 1/2" NPT	1C																																								
2 x 1/2" NPT	2C																																								
Finish	Code																																								
Natural Black	N																																								
Red	R																																								
Special	S*																																								

To order CENELEC/ATEX approved version, refer to European data sheet.



All the above specifications, dimensions, weights and tolerances are nominal (typical) and MEDC reserve the right to vary all data without prior notice. No liability is accepted for any consequence of use.