



AdaptaBeacon® Rotating Light

***Division 2 Rated, NEMA
Type 4X, 100W Halogen Bulb***

58 Series

FEATURES

- > Weatherproof
- > Hazardous Location Listed
- > Motor driven reflector
- > 100W Bayonet Base Halogen Lamp

The Edwards 58 Series AdaptaBeacon is a high profile, heavy duty rotating beacon in a NEMA Type 4X enclosure designed to meet hazardous location requirements in industrial, commercial, or institutional applications. The polycarbonate dome allows for easy cleaning.

The light mounts to 3/4" (19mm) NPT conduit. It may be corner mounted using the Cat. No. CBR, corner mount bracket, or wall mounted using the Cat. No. WBR, wall mount bracket. See AdaptaBeacon Accessories, page 3-118. For weatherproof applications, the unit must be mounted vertically, with the dome facing up.

Domes are available in six colors: red, amber, blue, green, magenta and clear.

Ideally suited for applications where high ambient noise levels make audible signals difficult to hear or other types of visual signals (strokes or flashing lights) hard to distinguish. It can be used to inform of equipment status changes, communicate malfunctions, or alert personnel to security breaches.

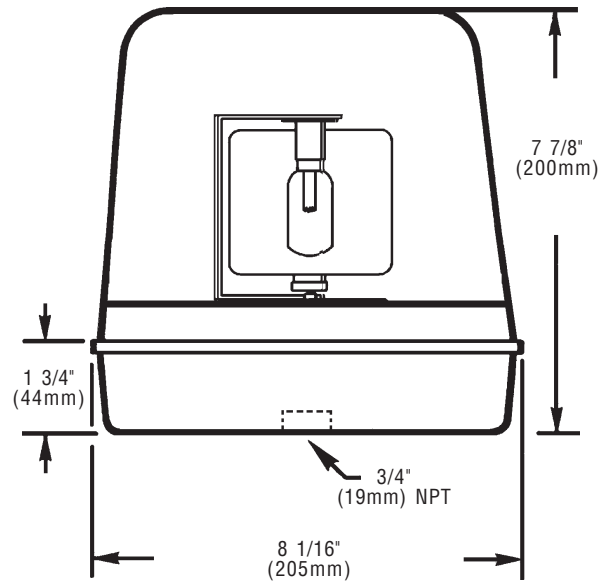
AGENCY APPROVALS

- > UL 1638 Listed
- > cUL Listed
- > UL Listed for Class I, Division 2, Groups A, B, C & D; Class II, Division 2, Groups F & G; and Class III hazardous locations.
- > UL 1604 Listed

D-04



TECHNICAL INFORMATION



Cat. No.	Lens Color	Replacement Dome	Revolution Rate	Electrical Ratings	Lamp Ratings	Replacement Lamp
58R-N5-100WH	Red	94DV2-DR	75 rpm	120V AC 50/60 Hz	1,800 lumens*	100Q/CL/DC/120V
58A-N5-100WH	Amber	94DV2-DA		1.0 Amp	1620 candlepower	
58B-N5-100WH	Blue	94DV2-DB			1,000 hours**	
58G-N5-100WH	Green	94DV2-DG				
58M-N5-100WH	Magenta	94DV2-DM				
58C-N5-100WH	Clear	94DV2-DC				

*Manufacturer's lumen rating.

**Projected lamp life based on manufacturer's calculated lamp life @ 65 FPM and 50% duty cycle.

HAZARDOUS LOCATION LISTINGS

Class	Division	Group	Operating Temperature Code
I	2	A,B,C,D	T1 (450C, 842F)
II	2	F,G	T6 (85C, 185F)
III	1		T6 (85C, 185F)