

Series 31T AC Horns



Description

The Wheelock Series 31T-115 VAC Horns are high performance horns. They are ideal alarm signals for life safety applications where high sound output, low current draw and dependable operation are of critical concern.

The 31T AC Horn offers rugged, vandal resistant construction with die case metal housings for the horn mechanism.

All models include screw terminal inputs for in-out field wiring.

Features

- Approvals include: UL Standard 464, New York (MEA), California State Fire Marshal (CSFM) and ULC
- Resonant grille design for high sound output with low current draw
- Each 31T is fully factory assembled to save installation time
- Screw terminal inputs for fast and secure in-out field wiring
- Indoor or outdoor mounting options for semi-flush, or surface mounting
- Attractive red textured finish enhances appearance and durability
- Vandal Resistant

Specifications and Ordering Information

Model Number	Order Code	Input Voltage	Rated Current	Rated dBA @ 10 Feet	Mounting Options
31T-115-R	2805	115 VAC	0.160	95	D,E,J,K,N,O,R
31T-115-S	0521	115 VAC	0.160	95	

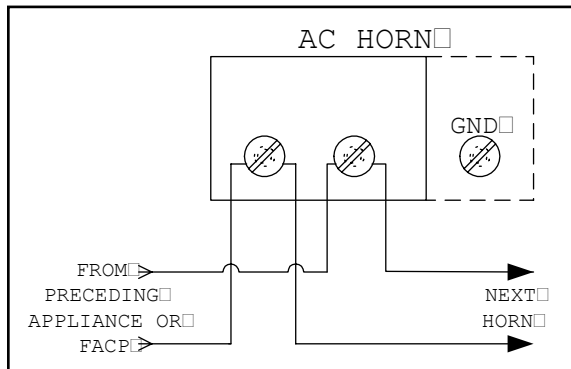
1. Typical dBA at 10 feet is measured in an anechoic chamber with nominal voltage.
2. Refer to Data Sheet #S7000 for mounting options.
3. Refer to the most current "Installation Instructions" P10010 and "General Information" P82380 sheets on these products.



Architects and Engineers Specifications

The AC horns shall be Wheelock Series 31T-115, or approved equal. Models shall be UL 464 Listed for Fire Protective Service and shall include a die cast metal housing to protect the horn mechanism. Sound output shall be 95 dBA minimum at 10 feet. Mounting options shall include surface mounting in indoor or outdoor applications and semi-flush in indoor applications. All models shall have screw terminal inputs for in-out field wiring. The finish shall be textured enamel.

Wiring



NOTE: Due to continuous development of our products, specifications and offerings are subject to change without notice in accordance with Wheelock Inc. standard terms and conditions.

⚠ WARNING: PLEASE READ THESE SPECIFICATIONS AND INSTALLATION INSTRUCTIONS CAREFULLY BEFORE USING, SPECIFYING OR APPLYING THIS PRODUCT. FAILURE TO COMPLY WITH ANY OF THESE INSTRUCTIONS, CAUTIONS AND WARNINGS COULD RESULT IN IMPROPER APPLICATION, INSTALLATION AND/OR OPERATION OF THESE PRODUCTS IN AN EMERGENCY SITUATION, WHICH COULD RESULT IN PROPERTY DAMAGE, AND SERIOUS INJURY OR DEATH TO YOU AND/OR OTHERS.



WE ENCOURAGE AND SUPPORT NICET CERTIFICATION
3 YEAR WARRANTY

S0500 31T 02/08

NJ Location

273 Branchport Ave.
Long Branch, NJ 07740
P: 800-631-2148
F: 732-222-8707
www.coopernotification.com

FL Location

7565 Commerce Ct.
Sarasota, FL 34243
P: 941-487-2300
F: 941-487-2389

VA Location

P: 877-459-7726
F: 703-294-6560

Cooper Notification is Wheelock®



SAFEPATH®

WAVES



COOPER Notification