

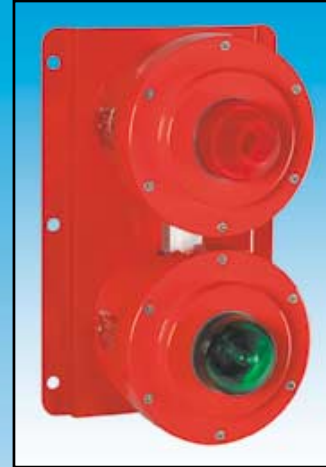
# STATUS LAMPS

## Explosion-proof, Weatherproof

### SM87 SL & XB11 SL Range



**SM87 SL**



**XB11 SL**

*Note: Units shown are for illustration only. Other variations are available.*

## Introduction

These ranges of versatile status lights have been designed to suit various offshore and onshore applications.

Available as LED, xenon, filament and fluorescent beacons.

The SM87 SL range is manufactured in marine grade alloy and the XB11 SL in corrosion-free GRP to provide a wide range of status lights to suit clients' requirements.

All units can be supplied as 1, 2, 3 or 4 way.

- ★ Zone 1 and Zone 2 use.
- ★ EExd.
- ★ \*ATEX approved, Ex II 2G (XB11– Ex II 2GD).
- ★ \*CENELEC approved.
- ★ \*BASEEFA certified.
- ★ \*UL listed for USA and Canada
  - Class I, Div. 1 & 2, Groups C & D.
  - Class I, Zone 1, AExd IIB T6.
- ★ \*CSA certified.
- ★ IP66 & 67.
- ★ \*Certified temperature –55°C to +70°C.
- ★ \*LED, xenon, fluorescent, filament.
- ★ Marine grade alloy or GRP.
- ★ Close-coupled and pre-wired to customer's requirements.
- ★ \*Model dependant.

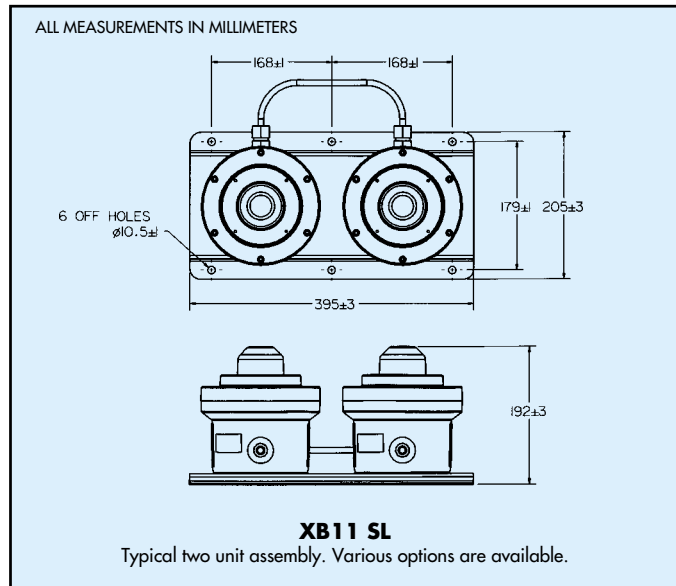
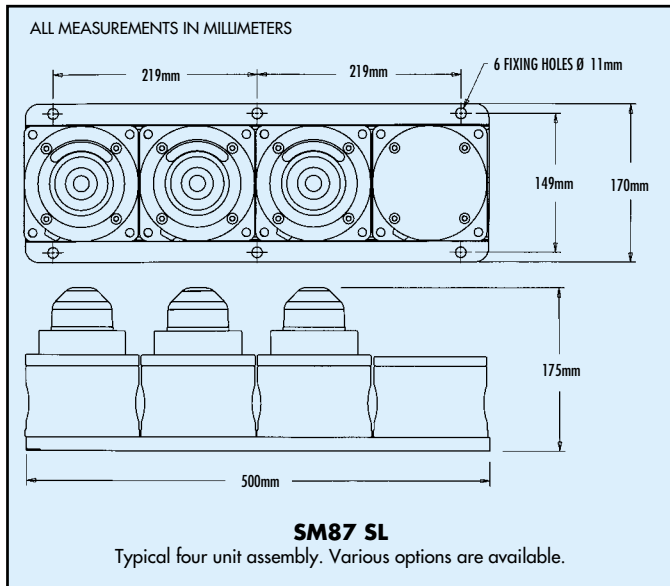
MEDC Ltd, Colliery Road,  
Pinxton, Nottingham NG16 6JF, UK.  
Tel: +44 (0)1773 864100  
Fax: +44 (0)1773 582800

MEDC International, 5829 West Sam Houston Parkway,  
North, Suite 1005, Houston, Texas 77041, USA.  
Tel: +1 (713) 937 9772  
Fax: +1 (713) 937 9773

MEDC Norway, Auglaendsmyraa 6,  
4016, Stavanger, Norge.  
Tel: +47 51 82 98 98  
Fax: +47 51 82 98 91

Sales Enq. Fax: +44 (0)1773 582830 Sales Orders Fax: +44 (0)1773 582832  
E-Mail: sales@medc.com Web: www.medc.com





## Specification

	<b>SM87 SL</b>	<b>XB11 SL</b>
Lamp Types	LED 192 Candela Xenon 6 joules maximum. Fluorescent 10W or 5W. Filament 40W maximum.	Xenon 5 joules. Fluorescent 10W or 5W. Filament 10W.
Voltage Frequency	50 Hz as standard. 60 Hz available if required.	
Xenon Voltages	24, 48V d.c. 110, 120, 240, 254V a.c. (see SM87 HXB data sheet for further information)	24V d.c., 110V, 240V a.c. (see XB11 data sheet for further details)
Filament Voltages	12, 24, 48V d.c., 110, 220, 240, 254V a.c. (see SM87 LU3 data sheet for further information)	24, 48V d.c., 110, 220, 240, 254V a.c. (see FL11* data sheet for further details)
Fluorescent Voltages	12, 24, 48V, 220, 240, 254V a.c. (see SM87 LU1 data sheet for further information)	24V d.c., 240V a.c. (see FL11* data sheet for further details)
Lamp Colours	Red, Amber, Yellow, Green, Blue or Clear.	
Certification	CENELEC/ATEX Approved: EExd IIC T4 (filament), EExd IIC T6 (Fluorescent & Xenon). Cert. No. Baseefa 03ATEX0222X CENELEC EN50014, EN50018 UL Listed for USA and Canada: Class I, Div 1, Groups C & D, Class I, Zone 1, AExd IIB T6, Listing No. E187894. CSA Certified: Class I, Div 1 & 2, Group D. Cert. No. 96406.	CENELEC/ATEX Approved: BASEEFA EExd IIB T5/T6. Cert. No. 99 ATEX 2195x CENELEC EN50014 and EN50018.  UL Listed for USA and Canada: Class I, Div 2, Groups C & D, Class I, Zones 1 & 2, AExd IIB T5/T6. Listing No. E187894 (XB11 only).
Terminals	2.5mm <sup>2</sup> max.	2.5mm <sup>2</sup> max.
Wiring	Standard configuration of internal wiring is to common the negative/neutral connections. If individually wired lamps are required, please state requirements.	
Entries	Up to 3 x 20mm or 25mm ISO.	1 x 20mm.
Enclosure	LM 25TF Marine Grade Alloy.	GRP.
Lens	Glass	
Finish	Epoxy paint as standard or to customer's specification.	Natural Black or Epoxy paint to customer's specification.
Ingress Protection	IP66 & 67.	
Ambient Temp.	-25°C to +55°C (LED & Fluorescent). -55°C to +55°C (Xenon & Filament).	-55°C to +70°C.
Gland Type	Exd	Exd

\*NOTE: FL11 currently not available UL listed.

## Ordering Requirements

Please contact MEDC to discuss your requirements.



All the above specifications, dimensions, weights and tolerances are nominal (typical) and MEDC reserve the right to vary all data without prior notice. No liability is accepted for any consequence of use.