

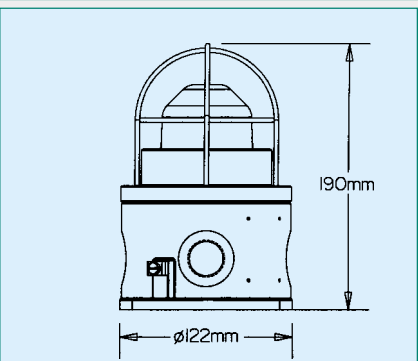
Beacons/Strobes

SM87 HXB/XB3

5 Joule Flashing Xenon – Explosionproof



Certification Flameproof	⊕ GOST EExd(e) IIC T6
Certified Ambient Temperature	-55°C to +70°C (EExd) -20°C to +40°C (EExde)
Ingress Protection	IP66 & 67
Material	Stainless Steel or Alloy
Entries	Up to 4 x 20mm or 25mm
Weight	3.8kg (Steel) or 2kg (Alloy)
Options: Body & lens colour, EOL resistor, tel. & relay initiate, certification, lens guard, tag & duty labels, flash rate, terminal chamber (XB3 model), high temp. version (-40°C to +85°C) available, voltages 24-48V d.c., 110-254V a.c.	



Standard models. Available ex-stock.

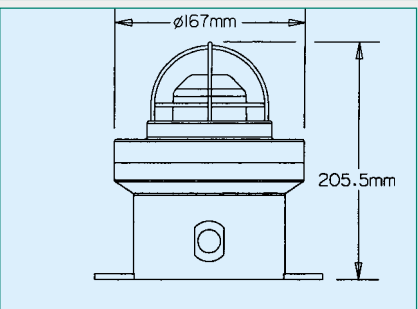
Certification	Voltage	Lens Colour	Ordering Code	Standard Product Configuration
EExd IIC T6	24V d.c.	Red	813005	Standard models are in alloy, red body, no tag or duty labels, 2 x M20 entries, 60 flashes per minute.
EExd IIC T6	24V d.c.	Amber	813006	
EExd IIC T6	240V a.c.	Red	813007	
EExd IIC T6	240V a.c.	Amber	813008	

XB11

5 Joule Flashing Xenon – Explosionproof



Certification Flameproof	⊕ ATEX ATEX Ex II 2GD, EExd IIB T5 & T6
Certified Ambient Temperature	-55°C to +70°C
Ingress Protection	IP66 & 67
Material	Corrosion-free GRP
Entries	2 x 20mm
Weight	2.5kg
Options: Body & lens colour, mounting, tel. initiate, certification, lens guard, flash rate, earth continuity, voltages 24V d.c., 110V a.c., 240 V a.c.	



Standard models. Available ex-stock.

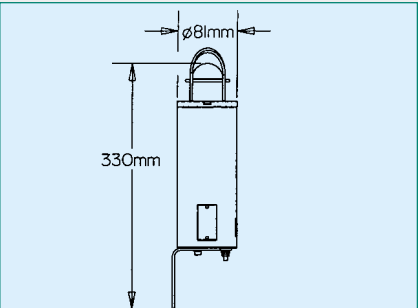
Certification	Voltage	Lens Colour	Ordering Code	Standard Product Configuration
ATEX Ex II 2GD	24V d.c.	Red	811101	Standard models are in GRP, natural black body, no tag or duty labels, 2 x M20 entries, 60 flashes per minute.
ATEX Ex II 2GD	24V d.c.	Amber	811102	
ATEX Ex II 2GD	240V a.c.	Red	811103	
ATEX Ex II 2GD	240V a.c.	Amber	811104	

XB9

5 Joule Flashing Xenon – Explosionproof



Certification Flameproof	⊕ ATEX ATEX Ex II 2G, EExd IIC T6
Certified Ambient Temperature	-55°C to +55°C
Ingress Protection	IP66 & 67
Material	Corrosion-free GRP
Entries	1 x 20mm or PG13.5
Weight	1.6kg
Options: Body & lens colour, tag & duty labels, lens guard, voltages, flash rate, 12-48V d.c., 110-254V a.c.	



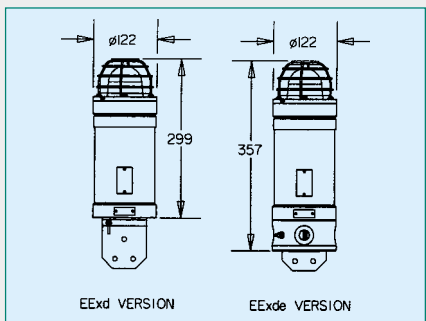
Standard models. Available ex-stock.

Certification	Voltage	Lens Colour	Ordering Code	Standard Product Configuration
ATEX Ex II 2G	24V d.c.	Red	819105	Standard model has natural black body, no tag or duty labels, 60 flashes per minute, lens guard, 3m cable & tail.
ATEX Ex II 2G	24V d.c.	Amber	819106	
ATEX Ex II 2G	240V a.c.	Red	819107	
ATEX Ex II 2G	240V a.c.	Amber	819108	

XB10 10 & 15 Joule Flashing Xenon – Explosionproof & Weatherproof



Certification Flameproof	⊕ ATEX ATEX Ex II 2G, EExd(e) IIB T4
Certified Ambient Temperature	-55°C to +55°C
Ingress Protection	IP66 & 67
Material	Corrosion-free GRP
Entries	Up to 3 x 20mm or 2 x PG13.5
Weight	2.8-3.6kg
Options: Body & lens colour, tel. initiate, earth continuity, flash rate, terminal chamber, voltages 12-48V d.c., 110-254V a.c.	



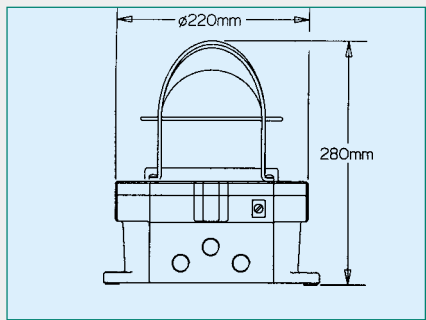
Standard models. Available ex-stock.

Certification	Voltage	Lens Colour	Ordering Code	Standard Product Configuration
ATEX Ex II 2G	24V d.c.	Red	811050	Standard models are in natural black, 15 Joules, lens guard, no tag or duty labels, 2 x M20 entries, 60 flashes per minute.
ATEX Ex II 2G	24V d.c.	Amber	811051	
ATEX Ex II 2G	240V a.c.	Red	811052	
ATEX Ex II 2G	240V a.c.	Amber	811053	
Weatherproof	24V d.c.	Red	811054	

XB4 21 Joule Flashing Xenon – Explosionproof



Certification Flameproof	⊕ GOST SAA EExd(e) IIC T5
Certified Ambient Temperature	-55°C to +55°C
Ingress Protection	IP66 & 67
Material	Stainless Steel or Alloy
Entries	Up to 4 x 20mm or 25mm
Weight	15-16kg (Steel), 6.6-7.4kg (Alloy)
Options: Body & lens colour, lens guard, tag & duty labels, terminals, terminal chamber, initiation options, flash rate, voltages 24-48V d.c., 110-254V a.c.	



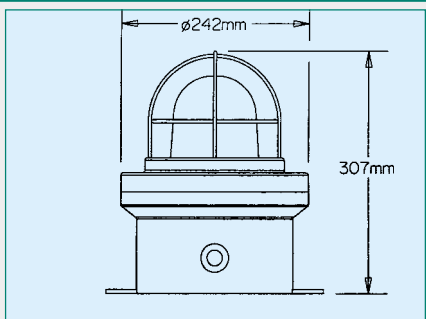
Standard models. Available ex-stock.

Certification	Voltage	Lens Colour	Ordering Code	Standard Product Configuration
EExd IIC T5	24V d.c.	Red	814001	Standard model are red painted, alloy, no lens guard, 2 x M20 entries.
EExd IIC T5	240V a.c.	Red	814002	

XB12 21 Joule Flashing Xenon – Explosionproof



Certification Flameproof	⊕ GOST ATEX Ex II 2G, EExd IIB T4/T5
Certified Ambient Temperature	-55°C to +70°C
Ingress Protection	IP66 & 67
Material	Corrosion-free GRP
Entries	2 x 20mm
Weight	7.0kg
Options: Body & lens colour, lens guard, tag & duty labels, telephone initiation, flash rate, mounting method, earth continuity, voltages 24V d.c., 110-240V a.c.	



Standard models. Available ex-stock.

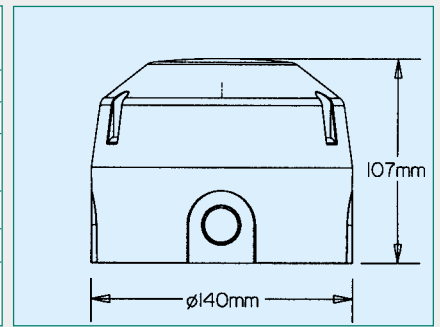
Certification	Voltage	Lens Colour	Ordering Code	Standard Product Configuration
ATEX EX II 2G	24V d.c.	Red	812101	Standard models are in natural black GRP, no lens guard, 2 x 20mm entries, 60 flashes per minute.
ATEX EX II 2G	24V d.c.	Amber	812102	
ATEX EX II 2G	240V a.c.	Red	812103	
ATEX EX II 2G	240V a.c.	Amber	812104	

XB8

0.5 Joule Flashing Xenon – Explosionproof



Certification	Ex GOST
Intrinsically Safe	EExia IIB/IIC T4
Certified Ambient Temperature	-55°C to +60°C
Ingress Protection	IP66 & 67
Material	Corrosion-free GRP body Polycarbonate lens
Entries	Up to 3 x 20mm via knockouts
Weight	1.4kg
Options: Body & lens colour, certification, tag & duty labels, voltages 12-24V d.c.	



Standard models. Available ex-stock.

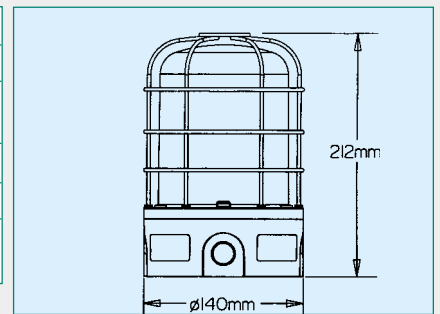
Certification	Voltage	Lens Colour	Ordering Code	Standard Product Configuration
EExia IIB T4	12V d.c.	Clear	818001	Standard models have natural red body colour, no tag or duty labels, 60 flashes per minute.
EExia IIB T4	24V d.c.	Clear	818002	

XB13

10 Joule Flashing Xenon – Weatherproof & Heavy Duty



Operating Temperature	-40°C to +55°C
Ingress Protection	IP66 & 67
Material	Corrosion-free GRP body Polycarbonate lens
Entries	Up to 3 x 20mm via knockouts
Weight	1.1kg
Options: Body & lens colour, tag & duty labels, lens guard, telephone & relay initiate, single & dual flash mode, voltages 12-24V d.c., 115-230V a.c.	



Standard models. Available ex-stock.

Voltage	Lens Colour	Ordering Code	Standard Product Configuration
24V d.c.	Red	813101	Standard models are in natural red body colour, no tag or duty labels, no lens guard, 3 x 20mm entries via knockouts, 60 flashes per minute (single flash mode), dual & single flash modes.
24V d.c.	Amber	813102	
230V a.c.	Red	813103	
230V a.c.	Amber	813104	

SM87

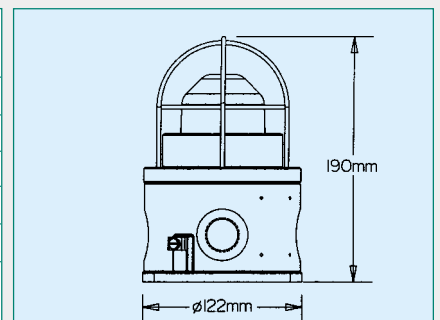
LU1/LU3/FB3/FL3

10 Watt Steady Filament/Fluorescent

– Explosionproof



Certification	Ex, c, UL, US, SR GOST
Flameproof	EExd(e) IIC T4/T6
Certified Ambient Temperature	-55°C to +55°C (model dependent)
Ingress Protection	IP66 & 67
Material	Stainless Steel or Alloy
Entries	Up to 3 x 20mm or 25mm
Weight	2.5 - 3.8kg
Options: Body & lens colour, lens guard, tag & duty labels, terminal chamber, voltages 24-48V d.c., 110-254V a.c.	



Beacons/Strobes

FB11 & FL11

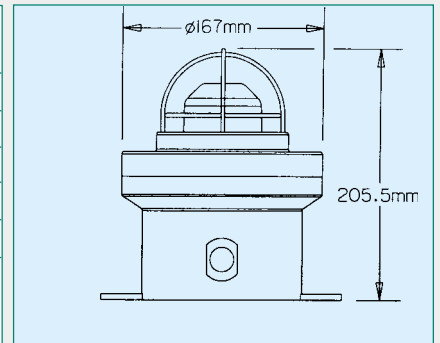
10 Watt Steady Filament & Fluorescent

Explosionproof



Certification Flameproof	ATEX Ex II 2G , EExd IIB T4/T5
Certified Ambient Temperature	-55°C to +55°C (FB11)
Ingress Protection	IP66 & 67
Material	Corrosion-free GRP
Entries	2 x 20mm
Weight	2.8kg

Options: Body & lens colour, lens guard, tag & duty labels, lamp wattage, unit fixing, earth continuity, mounting method, voltages 24-48V d.c., 110-254V a.c.



FB4 & FL4

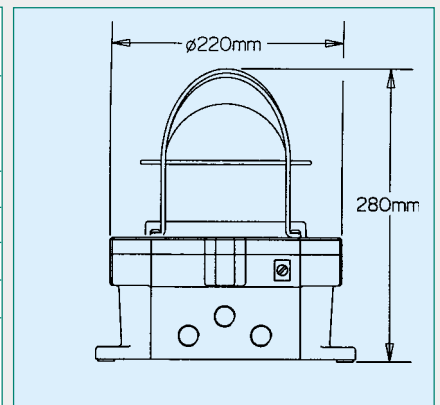
100 Watt Steady Filament & 39 Watt Fluorescent

Explosionproof



Certification Flameproof	ATEX Ex II 2G , EExd IIB T4/T5
Certified Ambient Temperature	-55°C to +55°C (FB4 EExd) -50°C to +55°C (FB4 EExde) -20°C to +55°C (FL4)
Ingress Protection	IP66 & 67
Material	Stainless Steel or Alloy
Entries	Up to 4 x 20mm or 25mm
Weight	14.9-17.3kg (Steel), 6.5-8.9kg (Alloy)

Options: Body & lens colour, lens guard, tag & duty labels, lamp wattage, relay initiate, terminals, terminal chamber, voltages 24-48V d.c., 110-240V a.c.



FB12 & FL12

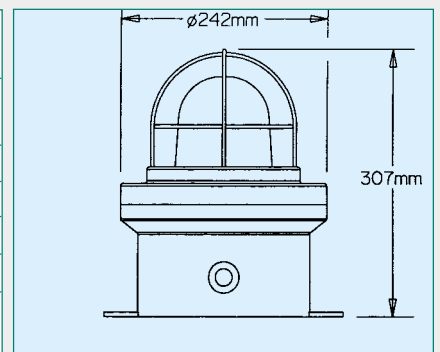
100 Watt Steady Filament & 39 Watt Fluorescent

Explosionproof



Certification Flameproof	ATEX Ex II 2G , EExd IIB T4/T5
Certified Ambient Temperature	-55°C to +55°C (FB12) -20°C to +55°C (FL12)
Ingress Protection	IP66 & 67
Material	Corrosion-free GRP
Entries	2 x 20mm
Weight	7.2 - 7.6kg

Options: Body & lens colour, lens guard, tag & duty labels, lamp wattage, unit fixing, earth continuity, mounting method, voltages 24-48V d.c., 110-254V a.c.

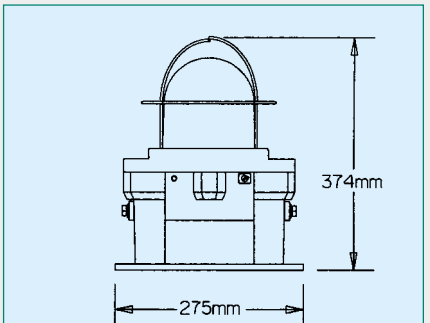


Beacons/Strobes

FB5 & FL5 200 Watt Steady Filament & 52 Watt Steady Fluorescent Explosionproof



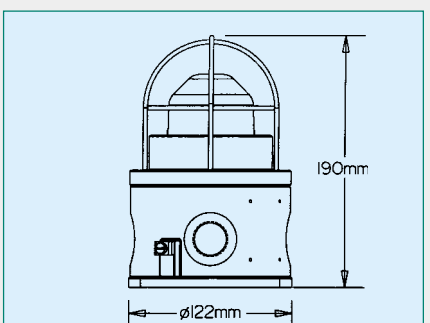
Certification Flameproof	⊕ EExd(e) IIB T3/T4
Certified Ambient Temperature	-20°C to +30°C (FB5) -20°C to +50°C (FL5)
Ingress Protection	IP66, 67 & 68
Material	Stainless Steel or Alloy
Entries	Up to 4 x 20mm or 25mm
Weight	11.6 - 14.3kg
Options: Body colour, lens guard, mounting method, voltages 220-254V a.c.	



SM87 LED Up to 192 Cd Steady or Flashing LED (Selectable) Explosionproof



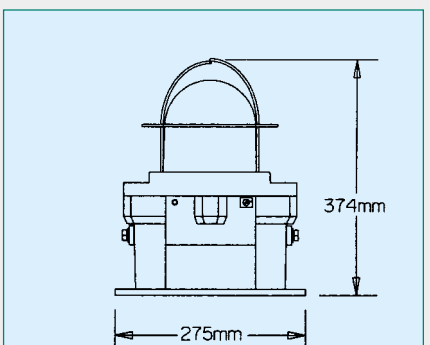
Certification Flameproof	⊕ EExd(e) IIC T6
Certified Ambient Temperature	-20°C to +40°C
Ingress Protection	IP66 & 67
Material	Stainless Steel or Alloy
Entries	Up to 3 x 20mm or 25mm
Weight	2.5 - 4.5kg
Options: Body & lens colour, lens guard, tel & relay initiate, EOL resistor, terminal chamber, voltages 24-48V d.c..	



XB5 & TH5 5 Joule Sequenced & 70 Watt Rotating Explosionproof



Certification Flameproof	⊕ EExd(e) IIB T4/T6
Certified Ambient Temperature	-20°C to +55°C (TH5) -20°C to +40°C (XB5)
Ingress Protection	IP66, 67 & 68
Material	Alloy
Entries	Up to 4 x 20mm or 25mm
Weight	14.6 - 15.9kg
Options: Body & lens colour, lens guard, tag label, terminal chamber, rotational speed, voltages 12-4110V d.c., 110-254V a.c.	

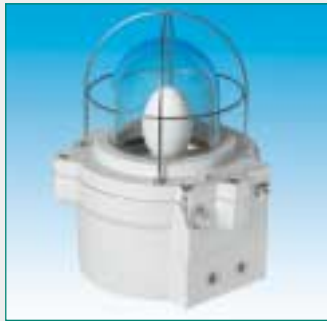


Beacons/Strobes

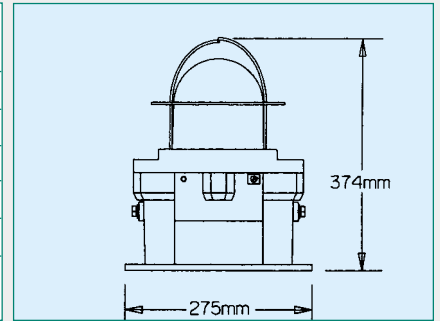
HS5 & MF5

70 Watt Sodium/80 Watt Mercury Fluorescent

Explosionproof



Certification Flameproof	⊕ EExd(e) IIB T3/T4
Certified Ambient Temperature	-20°C to +40°C
Ingress Protection	IP66, 67 & 68
Material	Stainless Steel or Alloy
Entries	Up to 4 x 20mm or 25mm
Weight	12.9 - 14.0kg
Options: Body colour, lens guard, tag label, terminal chamber, mounting method, voltages 220-254V a.c.	



Beacon/Sounder Combination Units

– Explosionproof & Weatherproof



A range of combination units that can be constructed from sounders, beacons and other equipment.

For more information, request data sheet 6DS104.

