

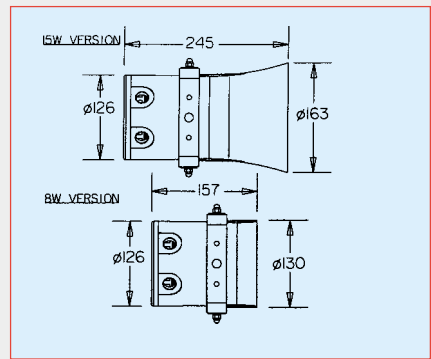
# Speakers

## DB10

### 8 & 15 Watt Speaker - Explosionproof



Certification	ATEX
Flameproof & Increased Safety	ATEX Ex II 2G, EExde IIB & H2
Certified Ambient Temperature	-55°C to +55°C
Ingress Protection	IP66 & 67
Material	Corrosion-free GRP
Output	104 dBA at 1W 1 metre 114 dBA at 15W at 1 metre
Entries	Up to 2 x 20mm
Weight	3.2kg (model dependent)
Tappings @ 15 Watts	15, 7.5, 5, 4, 2, 0.8
Options: Body colour, tag & duty labels, transformer voltage	



#### Standard models. Available ex-stock.

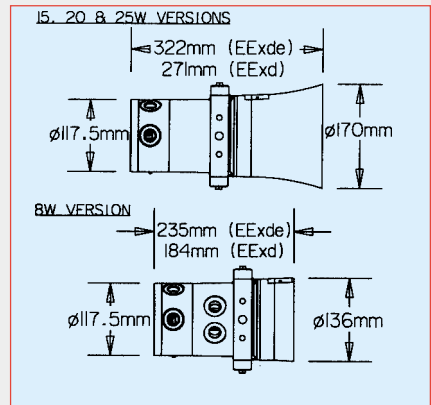
Certification	Power	Ordering Code	Standard Product Configuration
ATEX Ex II 2G	15 Watts	807915	<b>Standard model has 100V line transformer, natural black GRP body, 2 x 20mm entries, integral E-chamber, earth continuity.</b>
ATEX Ex II 2G	8 Watts	807908	

## DB4

### 8 - 25 Watt Speaker - Explosionproof



Certification	ATEX & GOST
Flameproof	ATEX Ex II 2GD, EExd(e) IIC T4/T5
Certified Ambient Temperature	-55°C to +55°C
Ingress Protection	IP66 & 67
Material	Corrosion-free GRP
Output	107 dBA at 1W at 1 metre 119 dBA at 25W at 1 metre
Entries	Up to 2 x 20mm
Weight	6kg
Tappings @ 25 watts	25, 12.5, 6, 4, 2, 1
Options: Power (8W, 15W, 20W, 25W), body colour, tag & duty labels, BS 5839, part 8 compliance, certification, terminal chamber, transformer voltage	



#### Standard models. Available ex-stock.

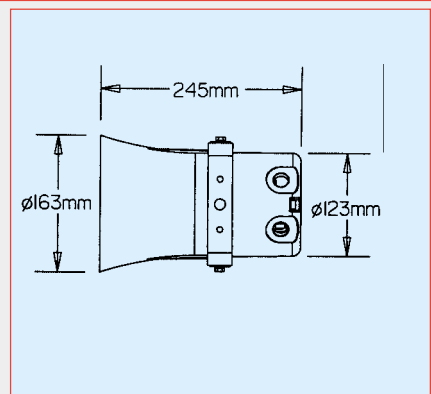
Certification	Power	Ordering Code	Standard Product Configuration
ATEX EX II 2GD	15 Watts	804215	<b>Standard model has natural black finish, no labels, 2 x 20mm entries, fitted with one certified plug &amp; 100V line transformer.</b>
ATEX EX II 2GD	25 Watts	804225	

## DB18

### 15 Watt Speaker - Explosionproof (Zone 2)



Compliance	ATEX
Non-sparking (Zone 2)	ATEX Ex II 3GD, EEx n II T4
Compliant Ambient Temperature	-55°C to +55°C
Ingress Protection	IP66 & 67
Material	Corrosion-free GRP
Output	107 dBA at 1W at 1 metre 117 dBA at 15W at 1 metre
Entries	2 x 20mm
Weight	2.6kg
Tappings @ 15 Watts	15, 7.5, 5, 4, 2, 0.8
Options: Body colour, tag & duty labels, transformer voltage	



#### Standard models. Available ex-stock.

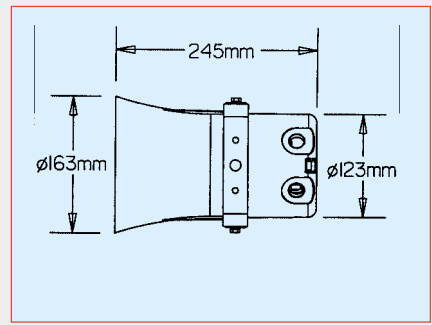
Certification	Ordering Code	Standard Product Configuration
ATEX Ex II 3GD	808401	<b>Standard model has natural black finish, no labels, 2 x 20mm entries, 100V line transformer.</b>

## DB14

## 15 Watt Speaker – Weatherproof & Heavy Duty



Ambient Operating Temperature	-55°C to +55°C
Ingress Protection	IP66 & 67
Material	Corrosion-free GRP
Output	107 dBA at 1W at 1 metre 117 dBA at 15W at 1 metre
Entries	2 x 20mm
Weight	2.6kg
Tappings	15, 7.5, 5, 4, 2, 0.8
Options: Body colour, tag & duty labels, transformer voltage, BS 5839, part 8 compliance, earth continuity	



Standard models. Available ex-stock.

Ordering Code	Standard Product Configuration
808010	Standard model has 100V line transformer, natural grey GRP body to RAL 7035, 2 x 20mm entries, no labels.



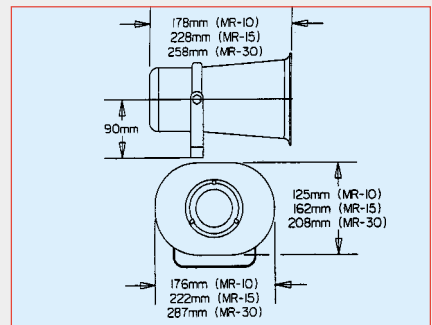
## Loudspeakers for Industry, Leisure & Commerce

## MR Range

## 10, 15 & 30 Watt Horn Speaker – Weatherproof



Operating Temperature	-20°C to +60°C
Ingress Protection	IP66
Material	ABS Plastic
Output	105-110 dBA at 1W at 1 metre
Entries	Gland & flying lead
Weight	1.1-1.6kg
Tappings	(30, 15), 10, 5, 3, 1
Options: BS5839, part 8 compliance, 8 ohm version (MR10 & MR15 only)	



Standard models. Available ex-stock.

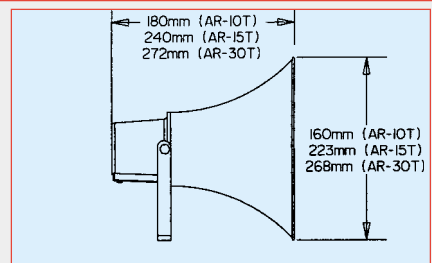
Ordering Code	Power	Standard Product Configuration
MR 10T	10 Watts	Standard models have 100V line transformer, stainless steel bracket, 1 x 20mm entries, gland & multicore 500mm flying lead, no labels.
MR 15T	15 Watts	
MR 30T	30 Watts	

## AR Range

## 10, 15 & 30 Watt Horn Speaker – Weatherproof



Operating Temperature	-20°C to +60°C
Ingress Protection	IP66
Material	Aluminium
Output	106-109 dBA at 1W at 1 metre
Entries	1 x 16mm
Weight	1.0-2.2kg
Tappings	30-2.0 (model dependent)



Standard models. Available ex-stock.

Ordering Code	Power	Standard Product Configuration
AR 10T	10 Watts	Standard models have 100V line transformer, stainless steel bracket, 1 x 16mm entry (AR 10 comes with flying lead), no labels.
AR 15T	15 Watts	
AR 30T	30 Watts	

## Ceiling Speakers



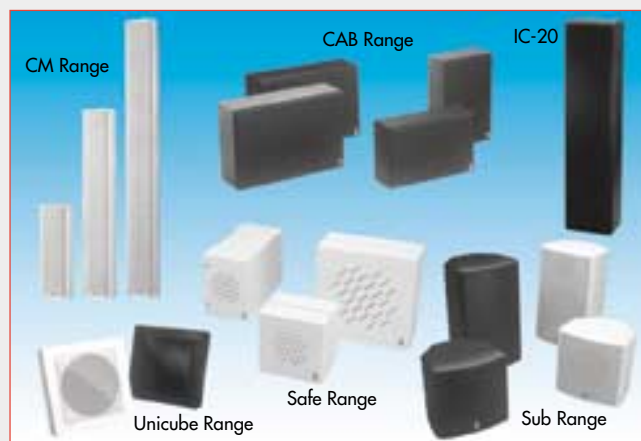
A range of ceiling speakers for use in VA/PA and background music systems. Versions include BS5839, part 8 compliant, weatherproof, coaxial and dual driver, 100V line or 8 ohm.

## Spheres & Projectors



A range of spheres & projectors for use in VA/PA and background music systems. Versions include BS5839, part 8 compliant & weatherproof, 100V line or 8 ohm.

## Cabinets & Columns



A range of cabinets & columns for use in VA/PA and background music systems. Options include anti-vandal, coaxial, bi-directional units, 100V line or 8 ohm.