

HORNS – Up to 93 dB(A) Intrinsically Safe, Weatherproof DB5 Range



SignalGuys.com



Introduction

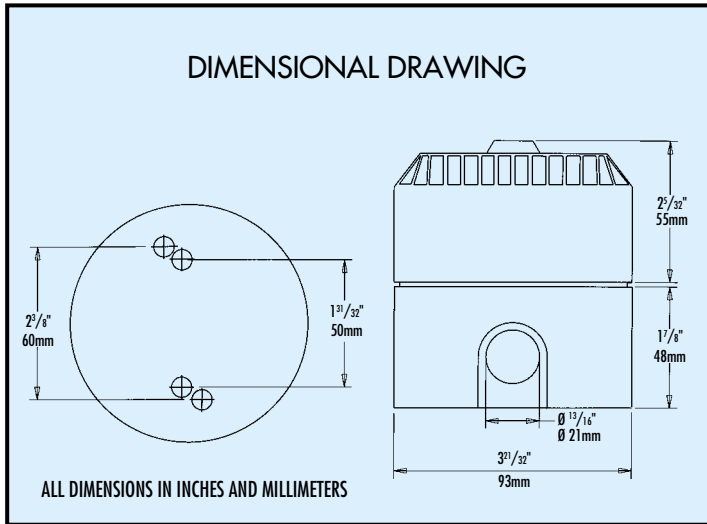
This range of light weight, intrinsically safe horns has been designed for industrial environments where potentially explosive atmospheres are present.

Suitable for use in all divisions, the units offer up to 26 selectable tones using a third wire.

The unit is available in 12V and 24V models.

European and other worldwide approvals are available, refer to main section of catalog.

- ★ FM approved – Class I, Div 1 & 2, Groups A-D.
- ★ CSA certified.
- ★ CENELEC/ATEX approved.
- ★ NEMA 4, IP65.
- ★ Certified temperature -4°F to $+131^{\circ}\text{F}$.
 -20°C to $+55^{\circ}\text{C}$.
- ★ Volume control as standard.
- ★ Up to 93 dB(A) output at 10 feet.
- ★ 26 different sound outputs, user selectable by internal switches.
- ★ Encapsulated electronics.
- ★ Second tone selectable using third wire.



Specification

- Certification:
1. FM approved for Class I, Div 1, Groups A, B, C, D. J.I. 3001835.
 2. CSA certified to C22.2 Nos. 0, 0.4, 0.5, 25, 30, 205, Class I, Groups A, B & D, Cert. No. 79122.
 3. CENELEC/ATEX approved, EN50014 and EN50020 & EN50284 EExia IIC T4. 12/24V version Cert. No. BAS00ATEX 1259 (unit) and 01E2024 (system).
 4. HSE(M) to EN50014, EN50020 and EN50303. EExia 1 Cert. No. MECS01ATEX4260 (unit) and 94Y7095 (system).

Material: A.B.S. (Acrylonitrile Butadiene Styrene).

Finish: Available in Red as standard.

Certified: -4°F to +131°F.

Temperature: -20°C to +55°C.

Weight: 0.7lb/0.3kg.

Entries: Up to $1 \times \frac{13}{16}$ " on each side via knockouts.

Terminals: 6 off suitable to accept up to 14 AWG.

Sound Output: 90 ± 3 dB(A) at 10 feet for 12V and 24V versions.
Typical max value only – variable with tone.

Current Consumption

24V model – 14 mA max. nominal.

12V model – 12 mA max. nominal.

Ordering Requirements

The following code is designed to help in selection of the correct unit. Build up the reference number by inserting the code for each component into the appropriate box. **Standard products available ex-stock as follows:**

| Product | Description |
|-----------------|--|
| DB5FM2NR | FM approved, Class I, Div. 1, 93 dB(A) output, 24V d.c., choice of 26 tones, red finish. |

Type

DB5FM

To order CENELEC/ATEX approved version, see European data sheet.

Voltage

| Voltage | Code |
|---------|------|
| 12V | 1 |
| 24V | 2 |

Labels

| Label | Code |
|-------------------------|------|
| None | N |
| Yes (Please specify) | Y |

Finish

| Finish | Code |
|-----------------------------|------|
| Red | R |
| Special (Please specify) | S |