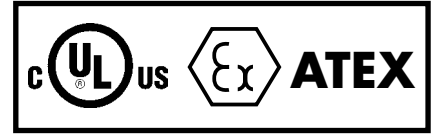


HORNS – Up to 108 dB(A) Hazardous Location, Weatherproof DB3 Range



Horn/Strobe
Combination Unit



**Now UL listed to +158°F (+70°C)
Ambient Temperature**

Introduction

This range of light weight all GRP, explosionproof horns intended for use in potentially explosive atmospheres has been designed with high ingress protection to cope with the harsh environmental conditions found offshore and onshore in the oil, gas and petrochemical industries.

The flamepaths, flare and the body, are manufactured completely from a UV stable glass reinforced polyester. Stainless steel screws and sinter are incorporated thus ensuring a corrosion free product. A tapered flamepath is used to overcome the problems of assembly of parallel pigot flamepaths.

European, Russian, Chinese and other worldwide approvals are available, refer to main catalog.

- ★ UL listed for USA and Canada
 - Hazardous locations:
 - Class I, Div. 2, Groups A, B, C & D.
 - Class I, Zones 1 & 2, AExd IIC T4.
 - Ordinary locations: Audible-Signal device.
- ★ ATEX approved.
- ★ NEMA 4x & 6, IP66 & 67.
- ★ Certified temperature –67°F to +158°F.
–55°C to +70°C.
- ★ All GRP corrosion free.
- ★ Up to 108dBA output at 10 feet.
- ★ Integral volume control.
- ★ 27 tones, user selectable.
- ★ Horn/Strobe Combination Unit available.

Specification

Certification: UL Listed for USA and Canada
 – Hazardous locations:
 Class I, Div. 2, Groups A-D.
 Class I, Zones 1 & 2, AExd IIC T4.
 UL Listing No. E203310.
 – Ordinary locations: Audible-Signal device.
 UL Listing No. S8116.
ATEX approved: CENELEC EN50014, 18, 19.
 Cert. No. BAS00ATEX2097X, EExd IIC.
 Cert. No. BAS00ATEX2098X, EExde IIC.
 Zones 1 & 2.

Material: Body & horn in anti-static, UV stable, glass reinforced polyester.
 Swivel bracket and captive cover screws in stainless steel.

Finish: Body and horn, natural black or epoxy paint coated to client's color requirements.

Sound Output: DB3 105 ±3dB(A) Typical at 10 feet (tone dependent).

Volume Control: Integral volume control

*Nominal Output (dBA)	Input Current (mA)
83	50
95	100
98	150
101	200
102	250
104	300
105	350

*Output measured with 24V input voltage. Tone set to 970Hz continuous.

Weight: 13.2lb/6.0kg approx.

Certified Temperature: –67°F to +158°F.

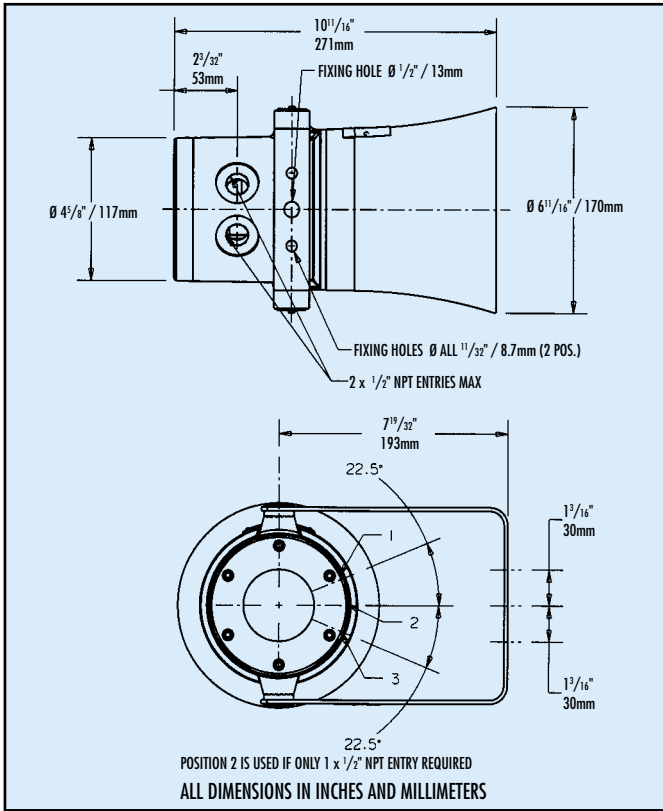
Temperature: –55°C to +70°C.

Ingress Protection: NEMA 4x & 6, IP66 & 67.

Voltage: Up to 48V d.c. Up to 254V a.c.

Current Consumption:

V	I
12V d.c.	760mA
24V d.c.	380mA
48V d.c.	190mA
110V a.c.	135mA
120V a.c.	124mA
220V a.c.	68mA
240V a.c.	62mA
254V a.c.	59mA



- Terminals:** 4 x 14 AWG (a.c.), 6 x 14 AWG (d.c.).
- Mounting:** Stainless steel bracket with ratchet facility.
- Labels:** Duty and tag labels optional.
- Cable Entries:** UP TO 2 x 1/2" NPT.
- Tone Selection:** 27 user selectable tones available.
- Horn/Strobe Unit:** The DB3 may be combined with a MEDC strobe to create a combined audio/visual alarm. Contact MEDC for price and specification.
- Two Stage Unit:** Switchable between any two tones by either:
 DB3P (i) Reversing the polarity of the supply, or
 (ii) by a 3 wire common +ve system, switching between the two –ve lines.
 Note: Two stage unit available in d.c. versions only.
- 3 & 4 Tone unit:** Remote 3 & 4 tone unit available – contact sales office for details.

Ordering Requirements

The following code is designed to help in selection of the correct unit. Build up the reference number by inserting the code for each component into the appropriate box. **Standard products available ex-stock as follows:**

Product	Description
DB3UL048N1CNR	UL Listed, Class I, Div 2, Class I, Zones 1 & 2, 108 dB(A) output, 48V d.c., choice of 27 tones, red finish.
DB3UL110N1CNR	UL Listed, Class I, Div 2, Class I, Zones 1 & 2, 108 dB(A) output, 110V a.c., choice of 27 tones, red finish.

Type	Certification	Voltage	Labels	Entries	Features	Finish	
DB3 DB3P	<input type="checkbox"/>	<input type="checkbox"/>	<input type="checkbox"/>	<input type="checkbox"/>	<input type="checkbox"/>	<input type="checkbox"/>	
Certification	Code	Voltage	Code	Label	Code	Finish	Code
UL	UL	12V - 48V d.c.	048	Duty	D*	Natural Black	N
UL (ordinary locations)	UW	*110V a.c.	110	Tag	T*	Red	R
		120V a.c.	120	None	N	Special	S
		*220V a.c.	220	*Please specify wording		*Please specify	
		*240V a.c.	240				
		*254V a.c.	254				
		*DB3P not available in a.c. version.		Entries	Code		
				1 x 1/2" NPT	1C		
				2 x 1/2" NPT	2C		

To order ATEX approved version, see European data sheet.