



*AST-4-K EXPLOSION-PROOF STROBE WARNING LIGHT
FACTORY SEALED, DUST-IGNITION-PROOF*

COMPLIANCES:

- Class I - Div. 1 and 2, Groups C,D
- Class II - Div. 1 and 2, Groups E,F,G
- Class III - ENCL 3, Temp Code T6

APPLICATIONS:

- Specifically designed for explosion-proof atmospheres and/or corrosive environments
- to warn of personal hazards such as, high noise levels or hard hat areas on oil rigs, mines, refineries and chemical plants
- indicator of operating conditions or malfunctions on remote equipment
- marine applications include helicopter landing pad lights and navigation beacons in classified areas
- pendant or globe upright mounting

FEATURES:

- solid state power supply
- low power consumption (12 watts)
- intensity 2,000,000 candlepower (peak)
- 3/4 inch pendant mount standard
- clear impact and heat resistant prismatic glass globe with inner lens
- copper-free cast aluminum housing with a powder epoxy finish for superior corrosion resistance
- flash rate - 60 flashes/minute
- weatherproof



Made in Canada



Applied Strobe Technology Company Limited
INDUSTRIAL STROBE WARNING LIGHTS

8345 Stanley Avenue, Niagara Falls, Ontario, Canada L2E 6X8 905-374-3077, Fax 905-374-6114
U.S. Address: 2315 Whirlpool St., Suite #182, Niagara Falls, NY 14305
ast@vaxxine.com

Temperature Range
-40 C to +85 C

Electrical Ratings
-120 VAC 50/60Hz, .1 amps (avg.)
-240 VAC 50/60Hz, .05 amps (avg.)
-10 to 30 VDC .8 amps to .4 amps (avg.)
-90 to 130 VDC .125 amps to .075 amps (avg.)

Ordering Information

Lens Colors

Am - Amber
Bl - Blue
Gr - Green
Re - Red
Cl - Clear

Guard

CG - Cast Guard

Model No.	Voltage
AST-4-K-120	120 VAC
AST-4-K-220	220 VAC
AST-4-K-1030	10 to 30 VDC
AST-4-K-90130	90 to 130 VDC

Mounting Options

Pendant

One Hub	PM-75	3/4" HUB
---------	-------	----------

Ceiling

Four Hubs and three close-up plugs	CM-75	3/4" HUB
------------------------------------	-------	----------

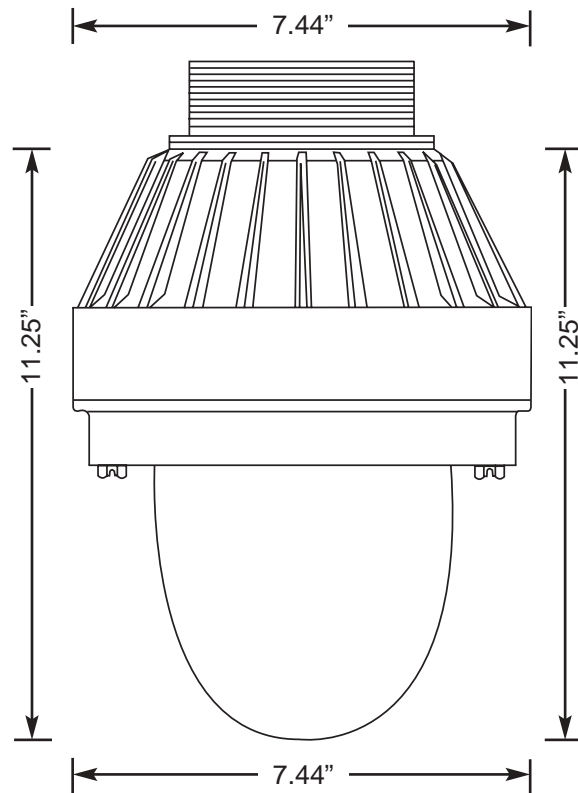
Wall Bracket

Four Hubs and three close-up plugs	WBM-75	3/4" HUB
------------------------------------	--------	----------

25° Stanchion Mount	SBM-1.25	1.25" HUB
---------------------	----------	-----------

Ordering Example

AST-4-K-120-RE-PM-75-CG



Replacement Parts

Circuit Board

AST-4-K-120	120 VAC Circuit Board
AST-4-K-220	220 VAC Circuit Board
AST-4-K-1030	10 to 30 VDC Circuit Board
AST-4-K-90130	90 to 130 VDC Circuit Board

Flash Tube

AST-FT 3050 Flash Tube

Lenses

AST-4-K-RE	Red Lens
AST-4-K-AM	Amber Lens
AST-4-K-BL	Blue Lens
AST-4-K-GR	Green Lens
AST-4-K-CL	Clear Lens

EXPLOSION PROOF STROBE