



## AST - 2 PENDANT MOUNT STROBE WARNING LIGHT

### APPLICATIONS:

- to visually indicate warnings or hazards in high noise level areas where audible signals may not be heard
- to indicate the starting and stopping of operations in a manufacturing environment
- to indicate faulty equipment

### FEATURES:

- solid state power supply
- low power consumption (12 watts)
- intensity 2,000,000 candlepower (peak)
- Polycarbonate fresnel lens
- cast zinc alloy housing with a grey epoxy finish for superior corrosion resistance
- designed for intermittent visual signaling as well as longer duration signaling applications
- flash rate - 60 flashes/minute
- flash tube life - minimum 10 million flashes at 60 flashes/minute
- 3/4" conduit entry
- weatherproof



Made in Canada



**Applied Strobe Technology Company Limited**  
INDUSTRIAL STROBE WARNING LIGHTS

8345 Stanley Avenue, Niagara Falls, Ontario, Canada L2E 6X8 905-374-3077, Fax 905-374-6114  
U.S. Address: 2315 Whirlpool St., Suite #182, Niagara Falls, NY 14305  
[ast@vaxxine.com](mailto:ast@vaxxine.com)

Temperature Range  
-40 C to +85 C

Electrical Ratings  
-120 VAC 50/60Hz, .1 amps (avg.)  
-240 VAC 50/60Hz, .05 amps (avg.)  
-10 to 30 VDC .8 amps to .4 amps (avg.)  
-250 VDC .04 amps (avg.)

Other available voltages  
-90 to 130 VDC .125 amps to .075 amps (avg.)

## Ordering Information

Lens Colors  
Am - Amber  
Bl - Blue  
Gr - Green  
Re - Red  
Cl - Clear

Model No.	Voltage
AST-2-120	120 VAC
AST-2-220	220 VAC
AST-2-1030	10 to 30 VDC
AST-2-250	250 VDC

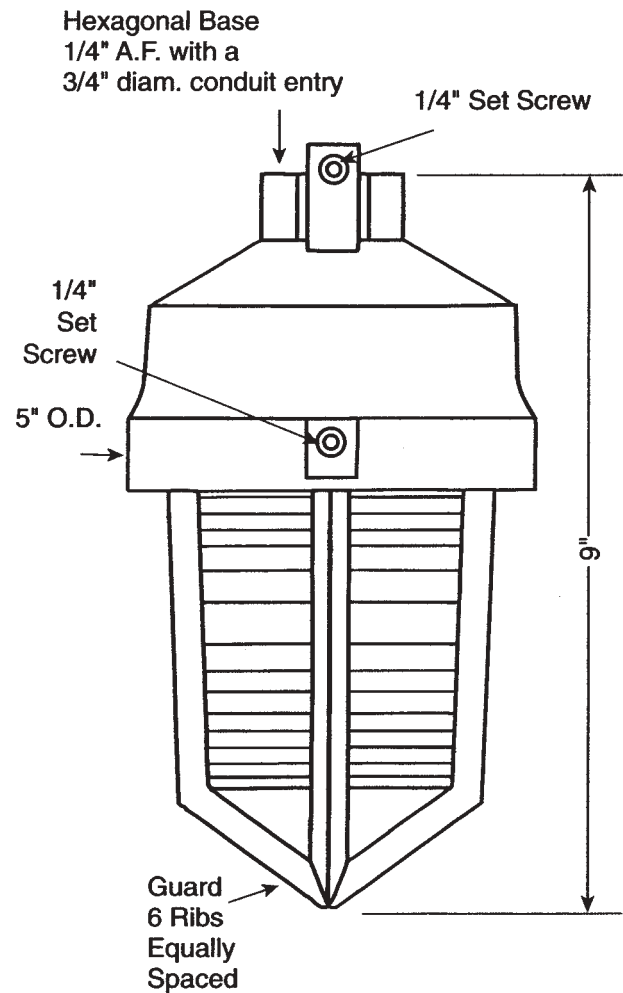
Ordering Example  
AST-2-1030-RE

## Replacement Parts

Circuit Board	
AST-2-120	120 VAC Circuit Board
AST-2-220	220 VAC Circuit Board
AST-2-1030	10 to 30 VDC Circuit Board
AST-2-250	250 VDC Circuit Board

Flash Tube  
AST-FT 3050 Flash Tube

Lenses	
AST-2-RE	Red Lens
AST-2-AM	Amber Lens
AST-2-BI	Blue Lens
AST-2-GR	Green Lens
AST-2-CL	Clear Lens



**SignalGuys.com**

**PENDANT MOUNT STROBE**