



AST - 1 BASE MOUNT STROBE WARNING LIGHT

APPLICATIONS:

- to visually indicate warnings or hazards in high noise level areas where audible signals may not be heard
- to indicate the starting and stopping of operations in a manufacturing environment
- to indicate faulty equipment

FEATURES:

- solid state power supply
- low power consumption (12 watts)
- intensity 2,000,000 candlepower (peak)
- Polycarbonate fresnel lens
- cast zinc alloy housing with a grey epoxy finish for superior corrosion resistance
- designed for intermittent visual signaling as well as longer duration signaling applications
- flash rate - 60 flashes/minute
- flash tube life - minimum 10 million flashes at 60 flashes/minute
- 1/2" conduit entry
- weatherproof



Made in Canada



Applied Strobe Technology Company Limited
INDUSTRIAL STROBE WARNING LIGHTS

8345 Stanley Avenue, Niagara Falls, Ontario, Canada L2E 6X8 905-374-3077, Fax 905-374-6114
U.S. Address: 2315 Whirlpool St., Suite #182, Niagara Falls, NY 14305
ast@vaxxine.com

Temperature Range
-40 C to +85 C

Electrical Ratings
-120 VAC 50/60Hz, .1 amps (avg.)
-240 VAC 50/60Hz, .05 amps (avg.)
-10 to 30 VDC .8 amps to .4 amps (avg.)
-250 VDC .04 amps (avg.)

Other available voltages
-90 to 130 VDC .125 amps to .075 amps (avg.)

Ordering Information

Lens Colors
Am - Amber
Bl - Blue
Gr - Green
Re - Red
Cl - Clear

Model No.	Voltage
AST-1-120	120 VAC
AST-1-220	220 VAC
AST-1-1030	10 to 30 VDC
AST-1-250	250 VDC

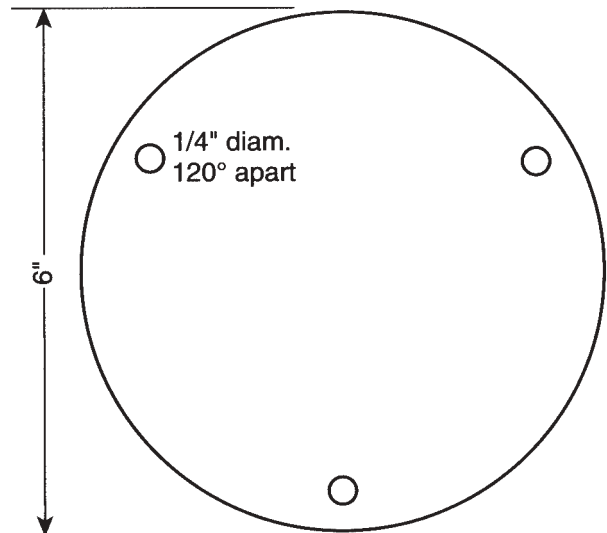
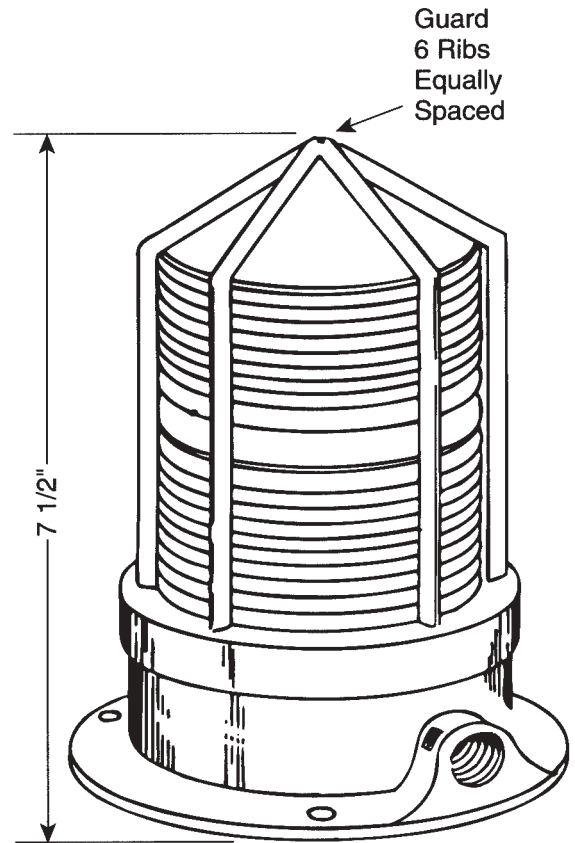
Ordering Example
AST-1-1030-RE

Replacement Parts

Circuit Board	
AST-1-120	120 VAC Circuit Board
AST-1-220	220 VAC Circuit Board
AST-1-1030	10 to 30 VDC Circuit Board
AST-1-250	250 VDC Circuit Board

Flash Tube
AST-FT 3050 Flash Tube

Lenses	
AST-1-RE	Red Lens
AST-1-AM	Amber Lens
AST-1-BI	Blue Lens
AST-1-GR	Green Lens
AST-1-CL	Clear Lens



SignalGuys.com

BASE MOUNT STROBE